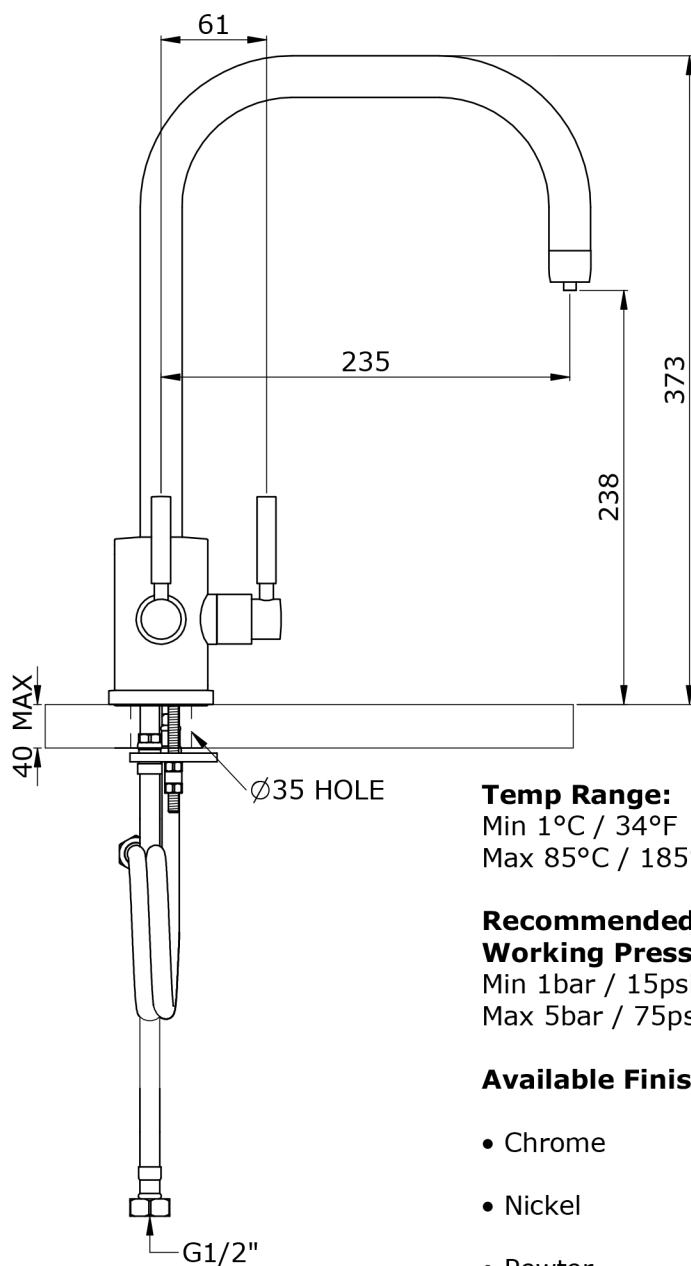
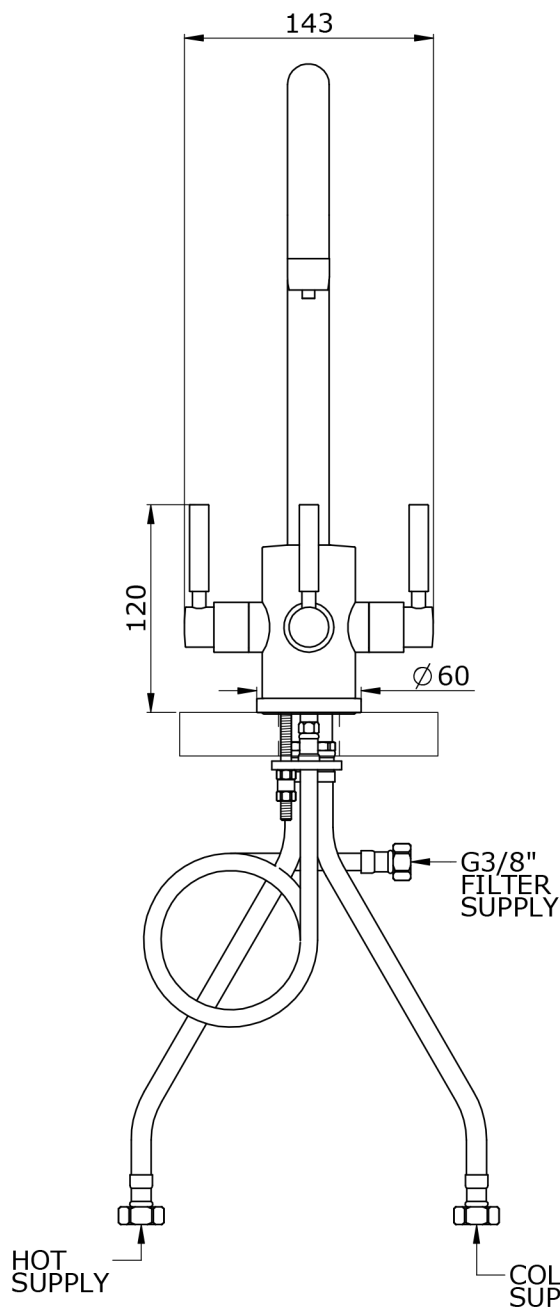


# Specification: TF-KT33U

- 1/4 turn ceramic disc flow control
- Triflow Stainless Steel push fit filter housing
- Flexible connections
- Swivel spout



**Temp Range:**  
Min 1°C / 34°F  
Max 85°C / 185°F

**Recommended Working Pressure:**  
Min 1bar / 15psi  
Max 5bar / 75psi

**Available Finishes:**

- Chrome
- Nickel
- Pewter