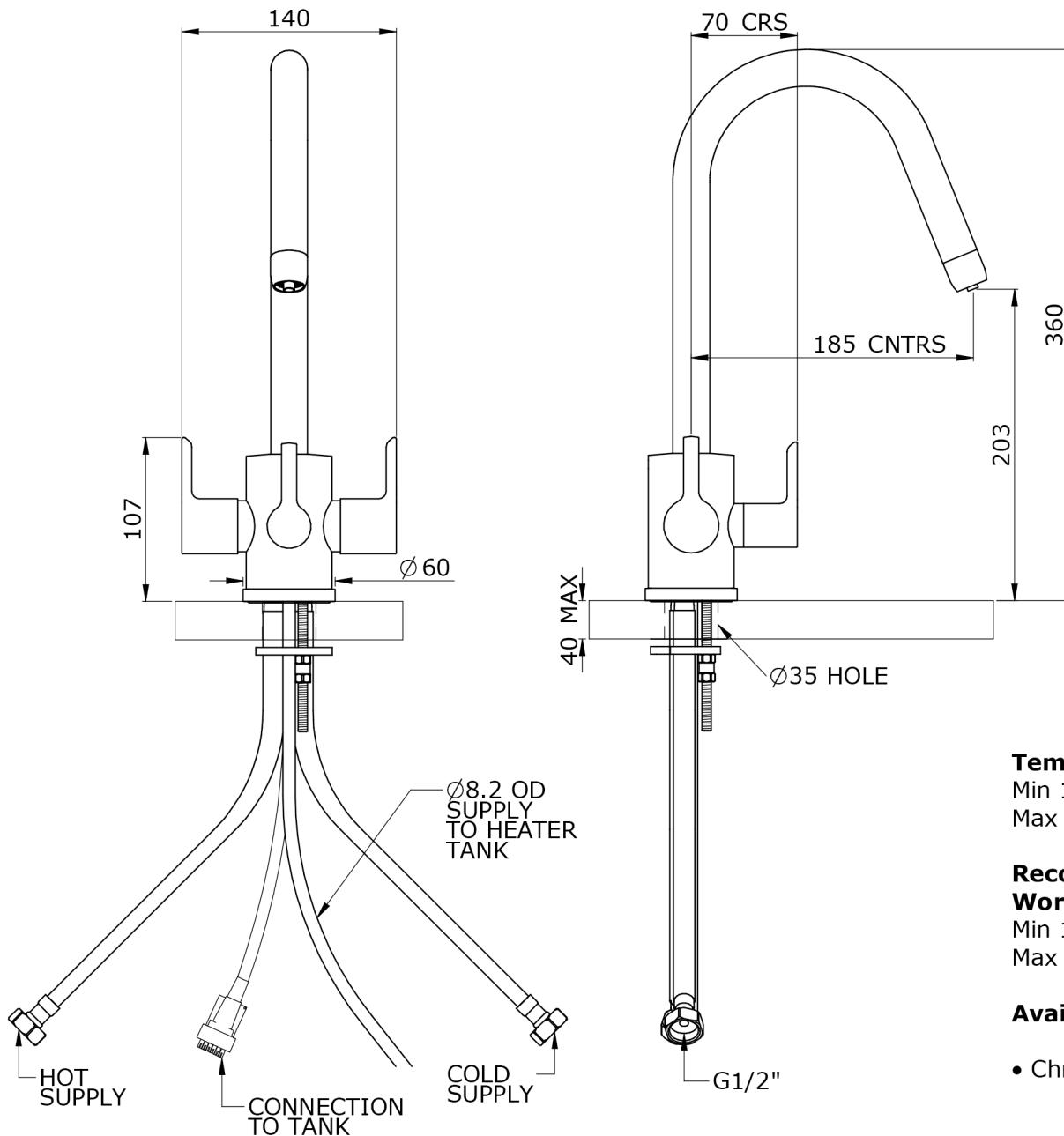
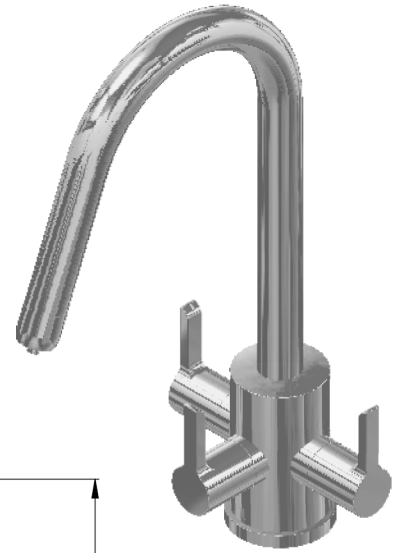


# Specification: TF-KTQ831H

- 1/4 turn ceramic disc flow control
- Triflow Quadro Heater Tank
- Flexible connections
- Swivel spout



### Temp Range:

Min 1°C / 34°F  
Max 100°C / 212°F

### Recommended Working Pressure:

Min 1bar / 15psi  
Max 5bar / 75psi

### Available Finishes:

- Chrome

Triflow Concepts Limited.  
T +44(0)800 999 3959  
E support@triflowconcepts.com  
W www.triflowconcepts.com

 TRIFLOW CONCEPTS LTD ©

Triflow, the Triflow Logo, Triflow Quadro and FRX02 are registered trademarks of Triflow (IP) Limited  
Triflow Quadro Logo, Triflow 160, 320, 321 & Triflow 500™