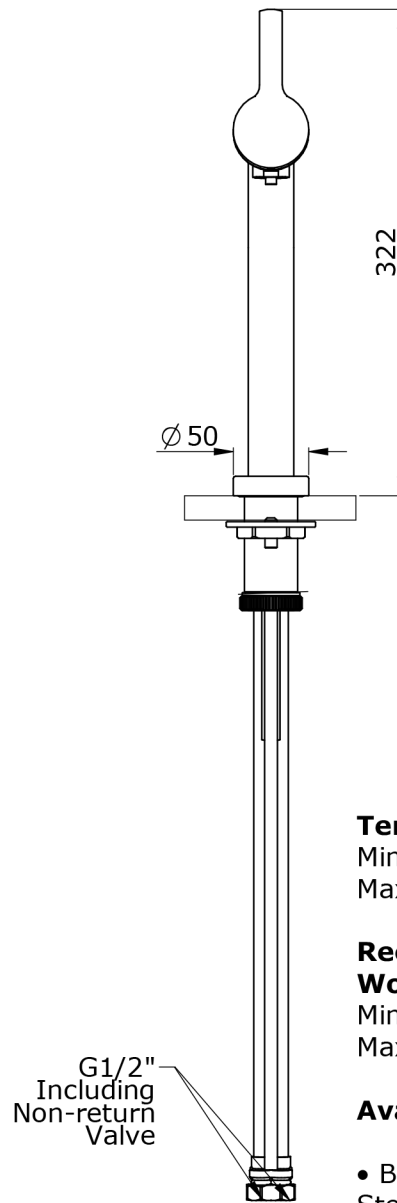
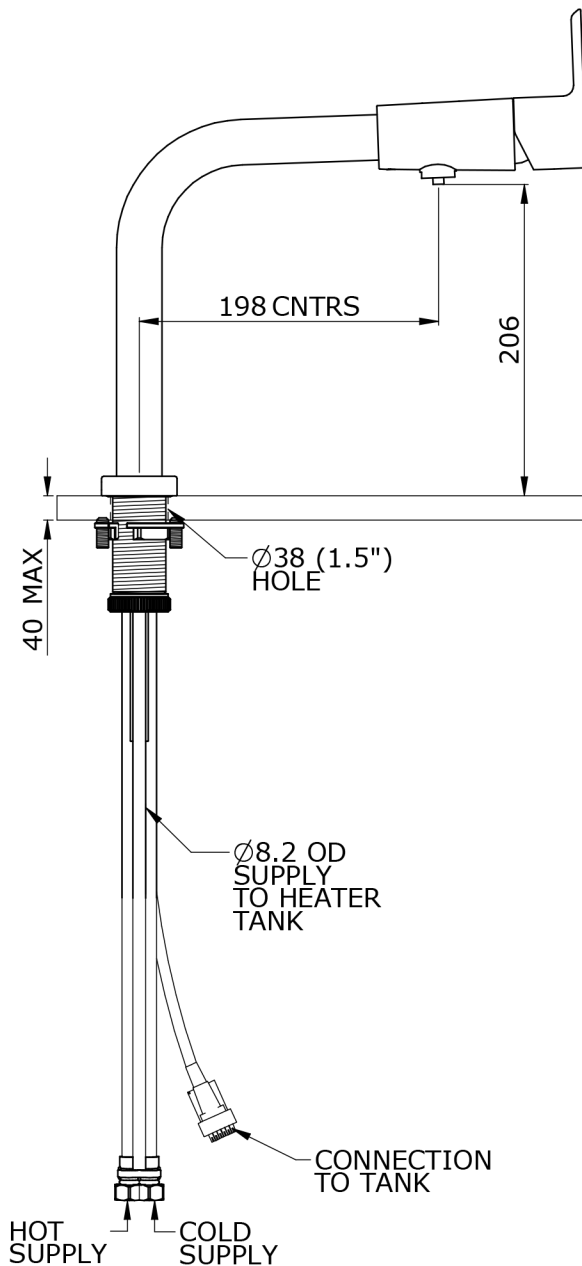
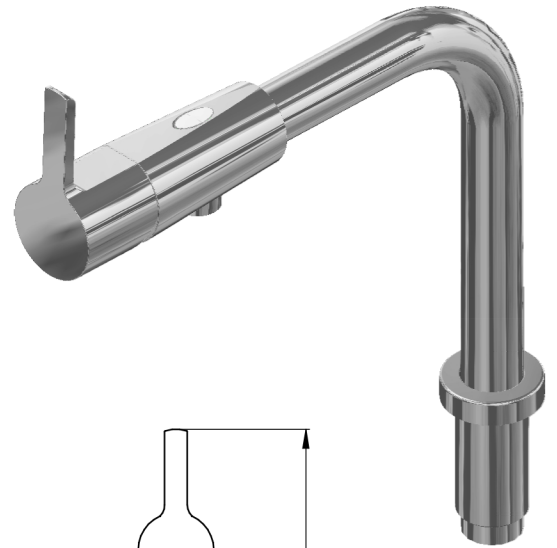


Specification: TF-KTQ811

- Ceramic disc mixer cartridge flow control
- Triflow Quadro Heater Tank
- Flexible connections
- Swivel spout



Temp Range:
Min 1°C / 34°F
Max 100°C / 212°F

Recommended Working Pressure:
Min 1bar / 15psi
Max 5bar / 75psi

Available Finishes:

- Brushed Stainless Steel