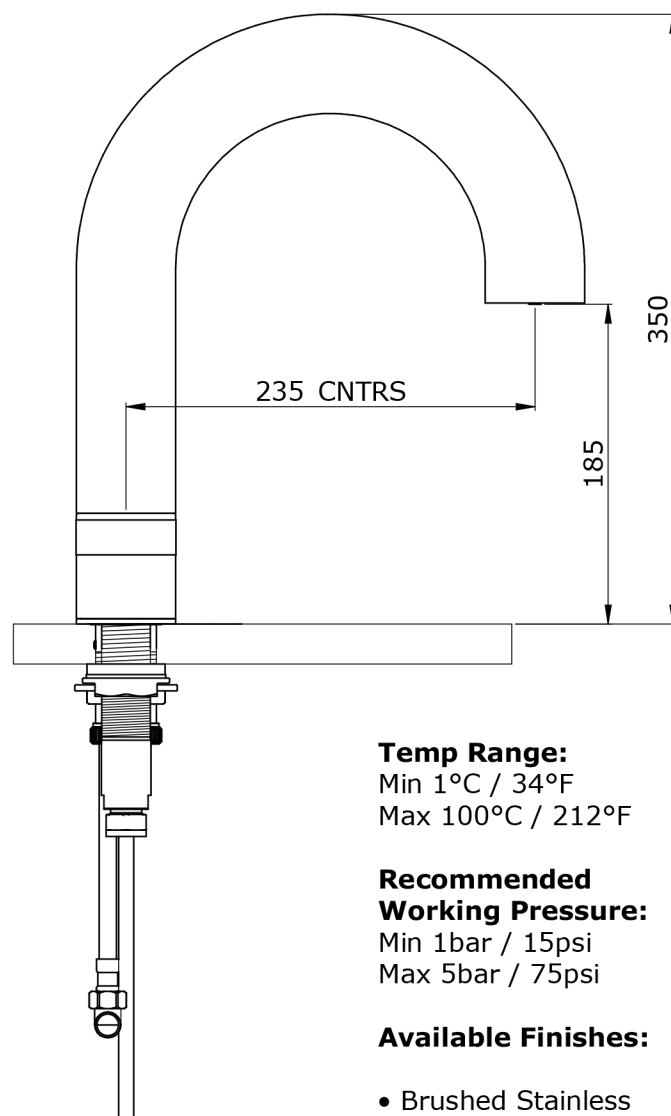
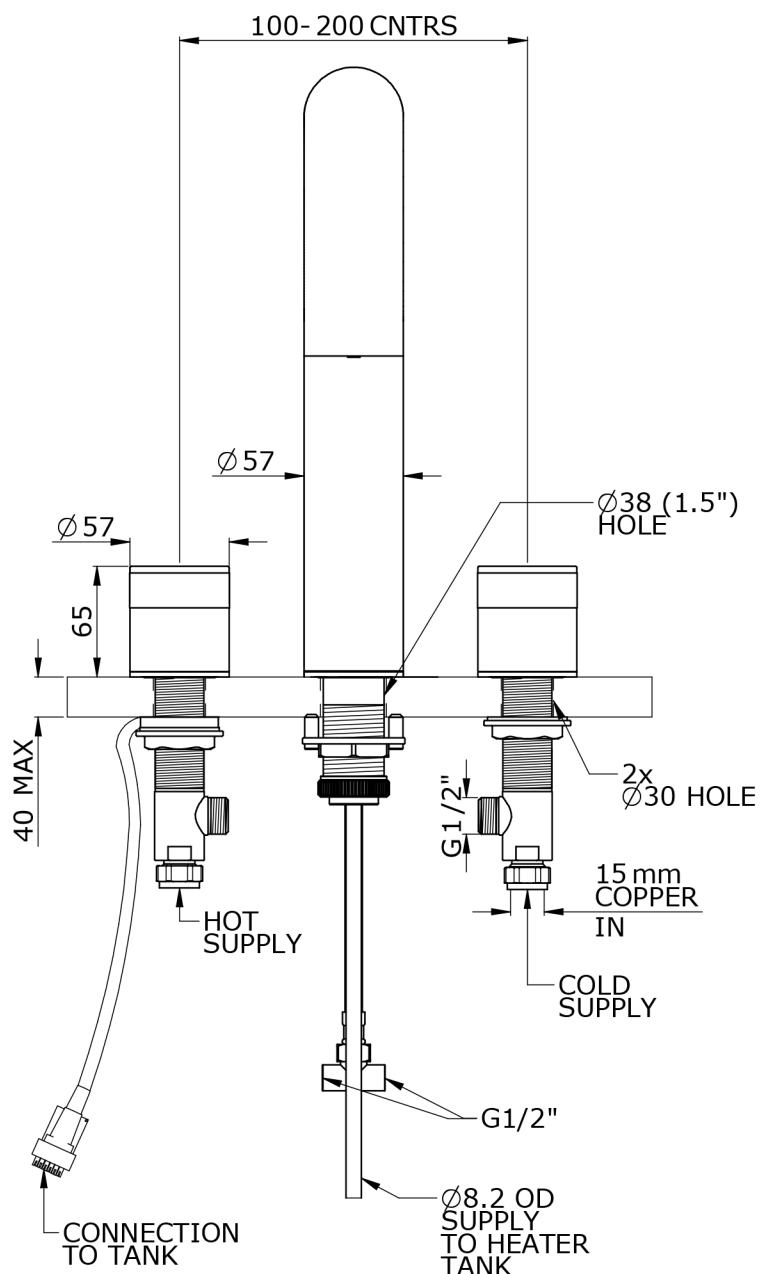


Specification: TF-KTQ801M

- 1/4 turn ceramic disc flow control
- Triflow Quadro Heater Tank
- Flexible connections
- Swivel spout



Temp Range:
 Min 1°C / 34°F
 Max 100°C / 212°F

Recommended Working Pressure:
 Min 1bar / 15psi
 Max 5bar / 75psi

Available Finishes:

- Brushed Stainless Steel