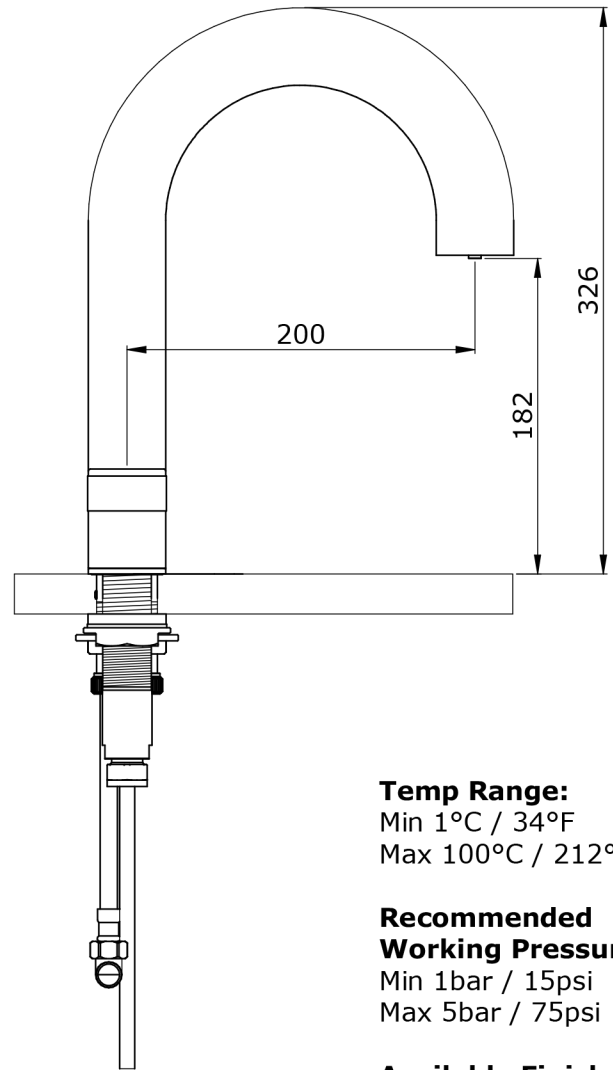
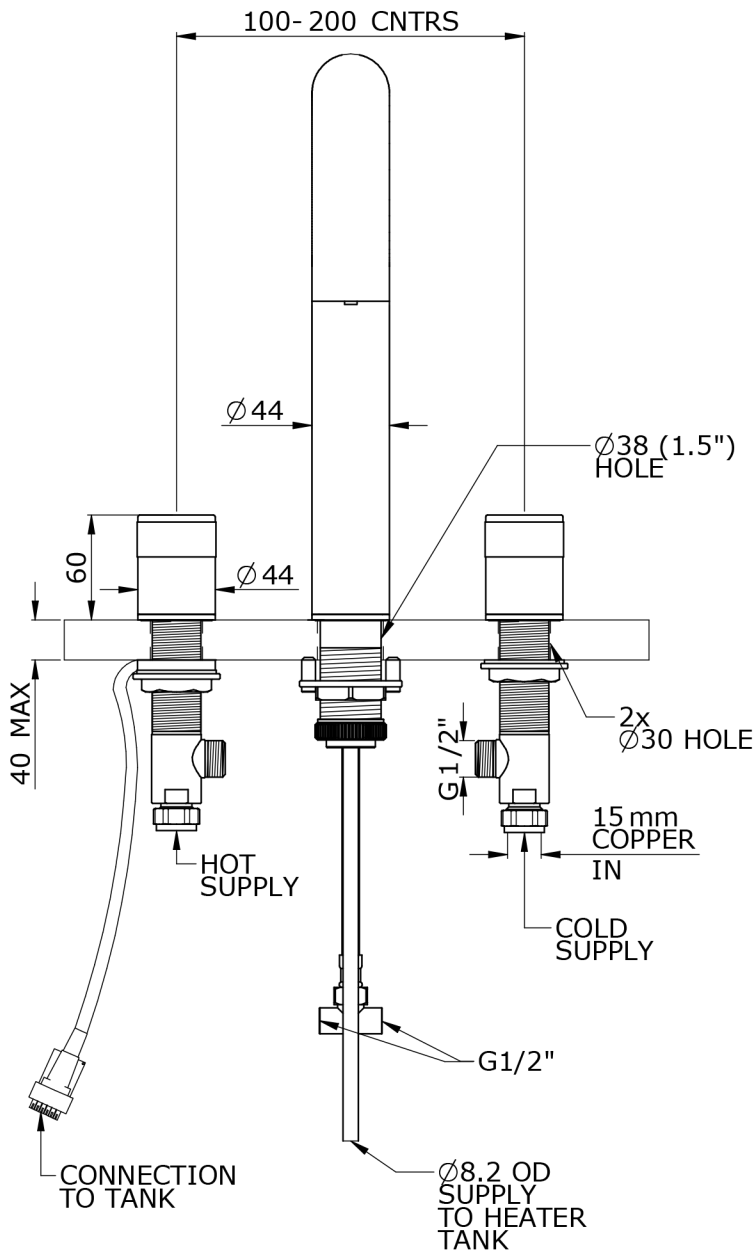


# Specification: TF-KTQ800M

- 1/4 turn ceramic disc flow control
- Triflow Quadro Heater Tank
- Flexible connections
- Swivel spout



**Temp Range:**  
Min 1°C / 34°F  
Max 100°C / 212°F

**Recommended Working Pressure:**  
Min 1bar / 15psi  
Max 5bar / 75psi

**Available Finishes:**

- Brushed Stainless Steel