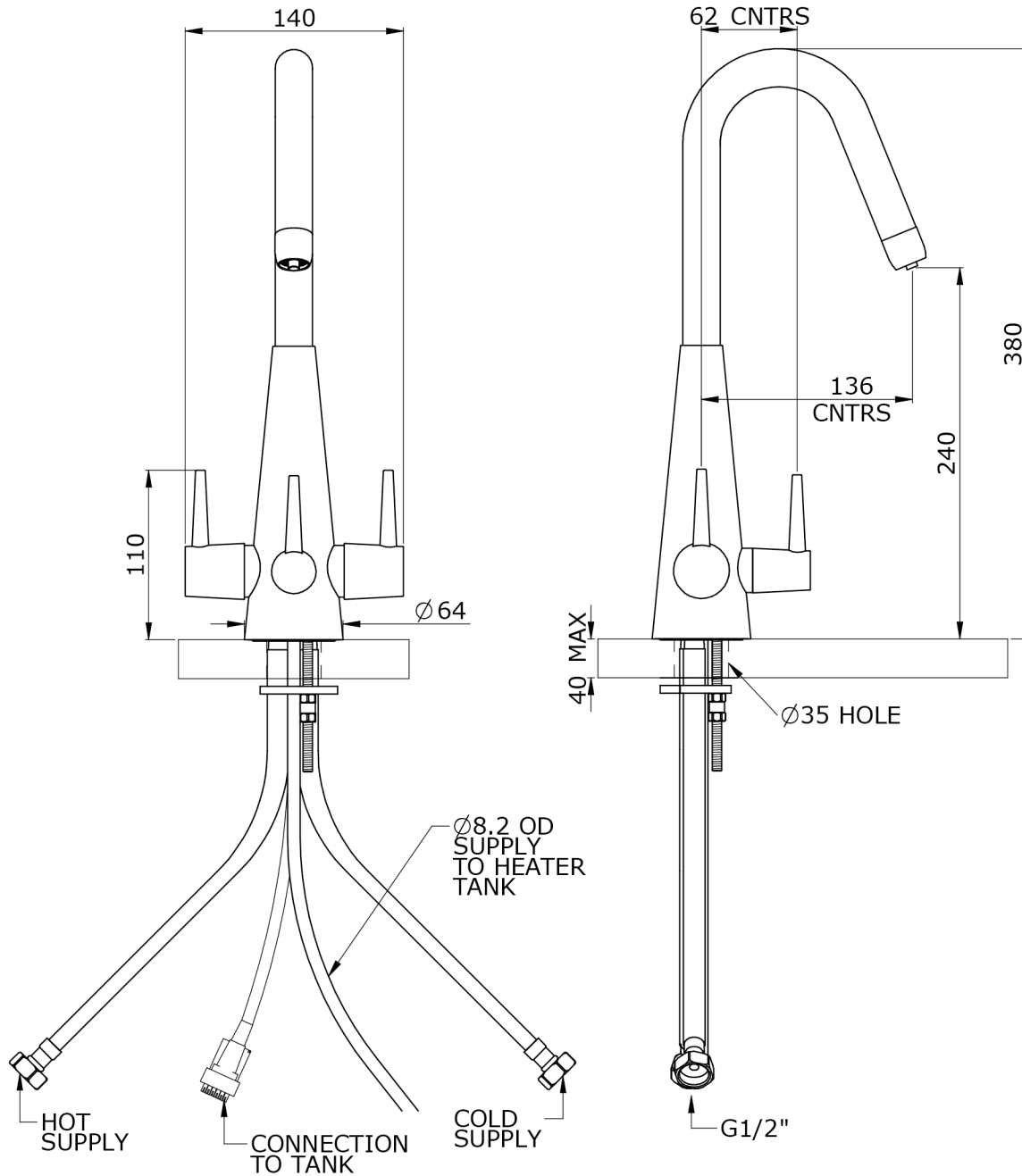
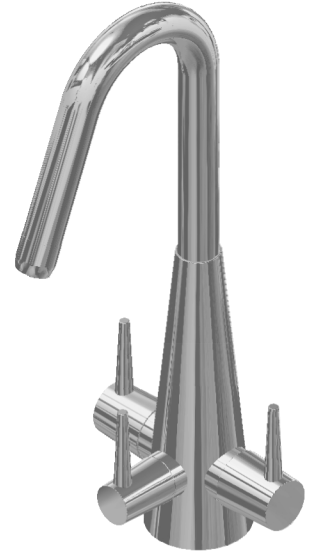


Specification: TF-KTQ837H

- 1/4 turn ceramic disc flow control
- Triflow Quadro Heater Tank
- Flexible connections
- Swivel spout



Temp Range:

Min 1°C / 34°F

Max 100°C / 212°F

Recommended Working Pressure:

Min 1bar / 15psi

Max 5bar / 75psi

Available Finishes:

- Chrome