

TRIFLOW CONCEPTS



TRIFLOW QUADRO

Delivering Hot, Cold, Filtered and Boiling water.

TRIFLOW QUADRO SYSTEM

TRIFLOW QUADRO SYSTEM



What is the Triflow Quadro System?

The Triflow Quadro System delivers 4 different types of water: not only hot and cold water but cold filtered and boiling water through a dedicated waterway from the same spout, to avoid cross-contamination.

Mains water goes through the Triflow Filtration System before it is heated in our new heater tank system, delivering boiling water on demand for tea, coffee and blanching vegetables.

Triflow Quadro Systems incorporate the highest quality, Swiss-made ceramic filter cartridges. This system removes bacteria and micro-plastics, while leaving beneficial minerals such as fluoride, magnesium and calcium untouched.

This point-of-use system eliminates the need for bottled water or a kettle. The Triflow Quadro System is initially available in a mechanical, three-lever version, whilst an electronically controlled version will be introduced later in 2020.

Although caution must be taken with any device that supplies boiling water, whether it is a kettle or a hot water tap, each Triflow Quadro System remains cool to the touch and incorporates a safety feature to minimize the risk of scalding.

How does the Triflow Quadro dispense boiling water?

The Mechanical 831, 833, 837 models have the same three lever format as the widely recognised Original Systems. However, the left hand 'hot' lever also incorporates the boiling water function.

With the lever in full vertical position, push towards the body of the tap for three seconds and release; this deactivates the safety mechanism. Press again for three seconds to dispense. Upon releasing the handle, the safety mechanism will immediately stop the flow.

The Electronic 800,801,811,821 models work in a similar way only this time you press, release and press again the Electronic button rather than a tap handle.

What are the Key Features of the Triflow Quadro System?

- Hot and Cold filtered water on demand
- Dedicated waterway for filtered water to avoid cross-contamination
- Four temperature settings ideal for tea or coffee.
- Exclusive Triflow Filtration System, with high performance Swiss-made filter cartridge.
- No tools required for simple cartridge replacement
- 3 Litre capacity Heater Tank
- Compact design - Heater will sit comfortably under your sink
- Triflow Quadro taps are completely manufactured and assembled in UK
- 5 year warranty on all Triflow Quadro taps
- 2 year warranty on Heater unit and Triflow filtration system

What are the Safety Features of the Triflow Quadro System?

- Water heater over temperature safety cut-out
- Pressure reducing valve
- Pump safety stop to prevent dry running
- Dry start and boil dry prevention
- Ambient demand overrides boiling demand if both are requested simultaneously
- In-built safety feature avoids the accidental dispensing of boiled water (see section how does Triflow Quadro dispense filtered hot water)

PLEASE NOTE: Great care should be taken when switching from Hot to Cold. Our Hot water supply is heated up to 98°C, depending on temperature setting, between 30°C- 40°C hotter than an average tap.

All systems come with TFE500 filter as standard

NEW FOR 2021 - Triflow Quadro Electronic

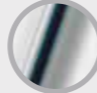
NEW FOR 2021 - Triflow Quadro Electronic

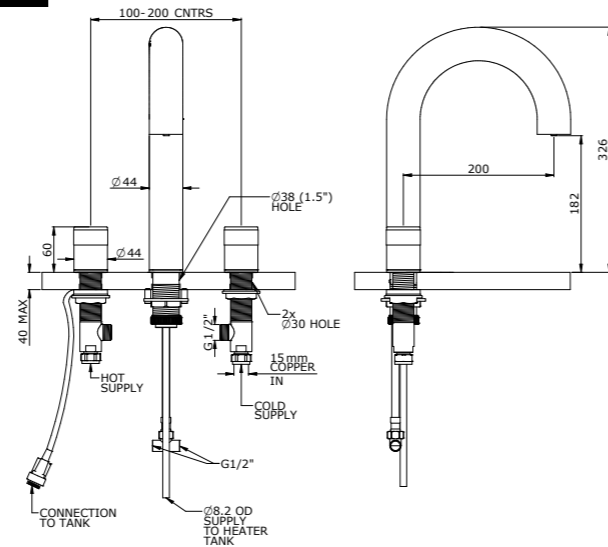


Triflow Quadro

Product Code: TFS-KTQ800-M

- 4 in 1 system incorporating hot, cold, filtered, and boiling water
- Electronic Quadro system.
- The electronic button, with dual technology, activates both the cold and hot filtered water.
- Safety mechanism for boiling water.
- Tap is cool to touch when producing boiling water.
- Rotating spout.
- Solid brass construction with a deep protective coating
- Durable Stainless-Steel Housing – including advanced Katadyn ceramic filtration system.

Available in:  Chrome



All measurements in millimetres

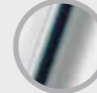
All systems come with TFE500 filter as standard

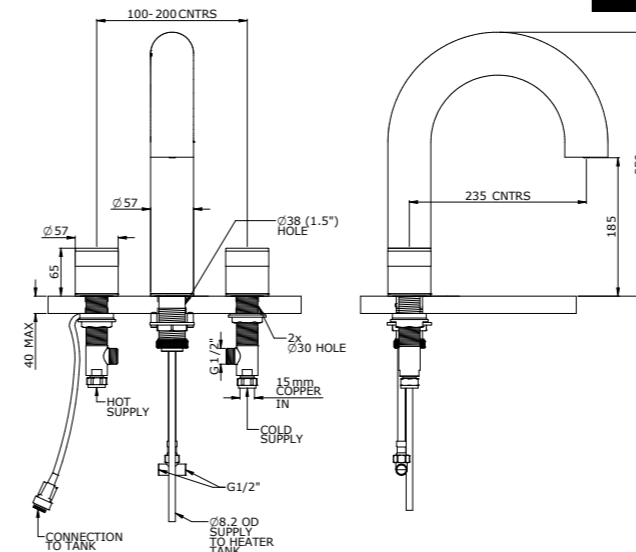


Triflow Quadro

Product Code: TFS-KTQ801-M

- 4 in 1 system incorporating hot, cold, filtered, and boiling water
- Electronic Quadro system.
- The electronic button, with dual technology, activates both the cold and hot filtered water.
- Safety mechanism for boiling water.
- Tap is cool to touch when producing boiling water.
- Rotating spout.
- Solid brass construction with a deep protective coating
- Durable Stainless-Steel Housing – including advanced Katadyn ceramic filtration system.
- This model is the larger version of the 800.

Available in:  Chrome



All measurements in millimetres

All systems come with TFE500 filter as standard

NEW FOR 2021 - Triflow Quadro Electronic

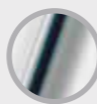
NEW FOR 2021 - Triflow Quadro Electronic

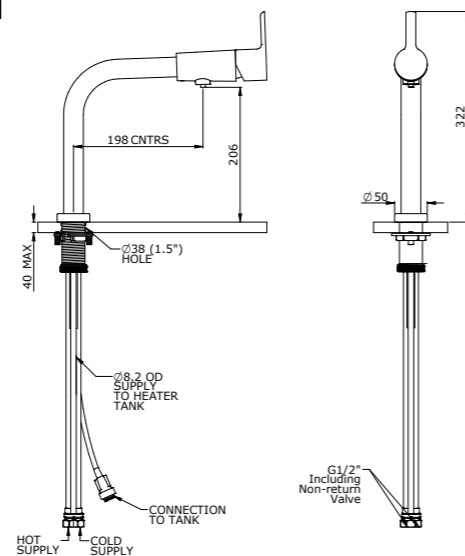


Triflow Quadro

Product Code: TFS-KTQ811-CP

- 4 in 1 system incorporating hot, cold, filtered, and boiling water
- Electronic Quadro system.
- The electronic button, with dual technology, activates both the cold and hot filtered water.
- Single hole design for a sleek modern look.
- Safety mechanism for boiling water.
- Tap is cool to touch when producing boiling water.
- Rotating spout.
- Solid brass construction with a deep protective coating
- Durable Stainless-Steel Housing – including advanced Katadyn ceramic filtration system.

Available in:  Chrome



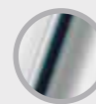
All measurements in millimetres

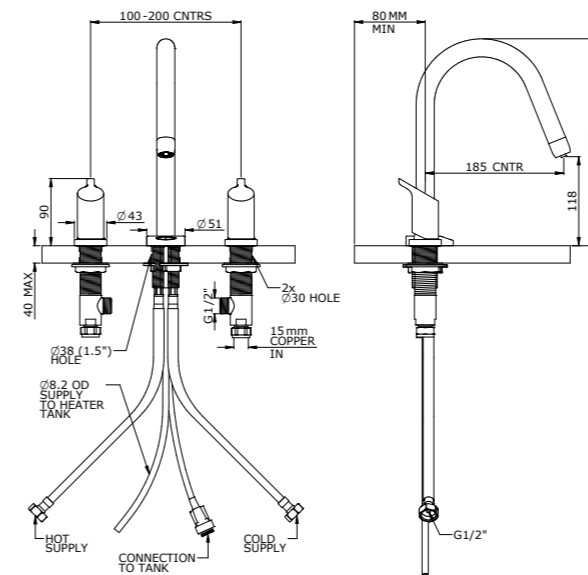
All systems come with TFE500 filter as standard

Triflow Quadro

Product Code: TFS-KTQ821H-CP

- 4 in 1 system incorporating hot, cold, filtered, and boiling water
- Electronic Quadro system.
- The electronic button, with dual technology, activates both the cold and hot filtered water.
- Three hole installation offering a traditional modern mix for your kitchen.
- Safety mechanism for boiling water.
- Tap is cool to touch when producing boiling water.
- Rotating spout.
- Solid brass construction with a deep protective coating
- Durable Stainless-Steel Housing – including advanced Katadyn ceramic filtration system.

Available in:  Chrome



All measurements in millimetres



All systems come with TFE500 filter as standard

Triflow Quadro System




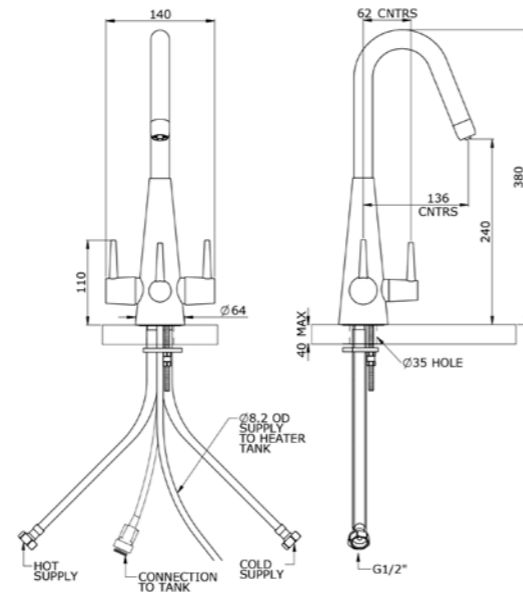
Triflow Quadro Darwin

Product Code: TF-KTQ837H-CP

KEY FEATURES:

- 4 in 1 system incorporating hot, cold, filtered and boiling water
- Bold statement design adds character to your kitchen
- Safety mechanism for boiling water
- Tap is cool to touch when producing boiling water
- 360-degree rotating spout
- Solid brass construction with a deep protective coating
- Durable stainless steel housing
- Including advanced Katadyn ceramic filtration system

Available in:  Chrome



All measurements in millimetres

All systems come with TFE500 filter as standard

Triflow Quadro System




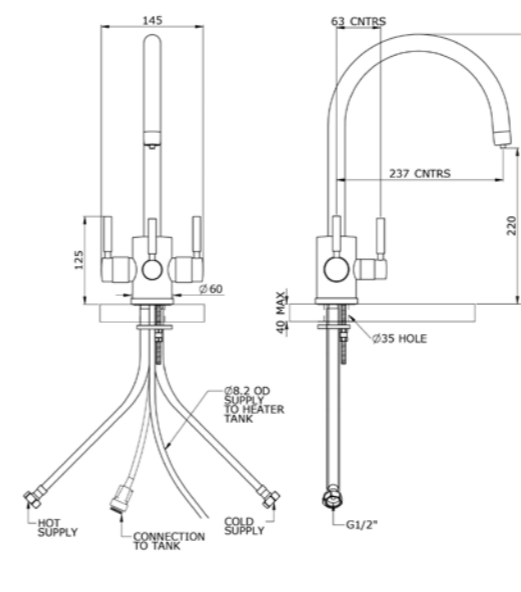
Triflow Quadro Churchill

Product Code: TF-KTQ833C-CP

KEY FEATURES:

- 4 in 1 system incorporating hot, cold, filtered and boiling water
- Rounded body which complements a refined design
- Safety mechanism for boiling water
- Tap is cool to touch when producing boiling water
- 360-degree rotating spout
- Solid brass construction with a deep protective coating
- Durable stainless steel housing
- Including advanced Katadyn ceramic filtration system

Available in:  Chrome



All measurements in millimetres

All systems come with TFE500 filter as standard

Triflow Quadro System




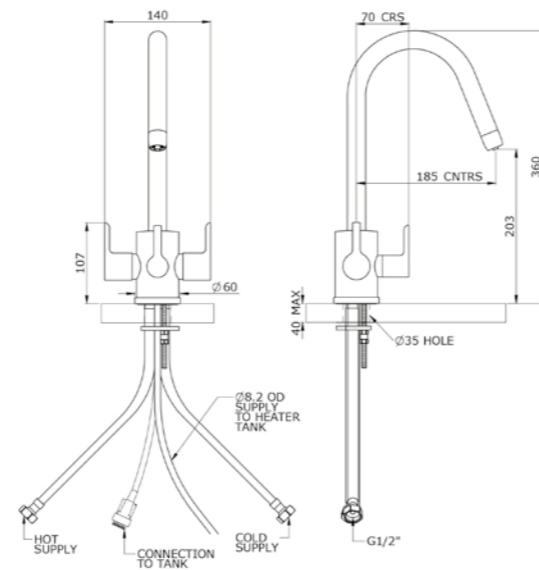
Triflow Quadro Portobello

Product Code: TF-KTQ831H-CP

KEY FEATURES:

- 4 in 1 system incorporating hot, cold, filtered and boiling water
- Stylish hook spout brings a touch of class to any kitchen
- Safety mechanism for boiling water
- Tap is cool to touch when producing boiling water
- 360-degree rotating spout
- Solid brass construction with a deep protective coating
- Durable stainless steel housing
- Including advanced Katadyn ceramic filtration system

Available in:  Chrome



All measurements in millimetres

All systems come with TFE500 filter as standard

Triflow Quadro System

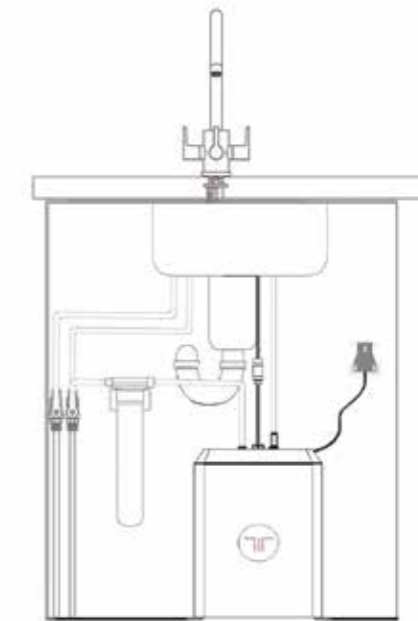
Triflow Quadro Heater Tank

KEY FEATURES:

- Heater Tank has 3 Litre capacity
- Compact design to fit easily under any sink
- Heater dimensions: 320mm(H) x 210mm(W) x 220mm(D)
- 4 Temperature settings, perfect for tea and coffee
- Touch control
- Pressure reducing valve
- Pump safety stop to prevent dry running
- Dry start and boil dry prevention
- Supply pressure (min) 1.0 bar
- Supply pressure (max) 3.0 bar



All measurements in millimetres





TAP INTO A HEALTHY LIFESTYLE

Triflow Concepts Ltd, Global House, 95 Vantage Point, Pensnett Trading Estate, Kingswinford, West Midlands DY6 7FT

www.triflowconcepts.com | info@triflowconcepts.com | Tel: 0800 999 3959