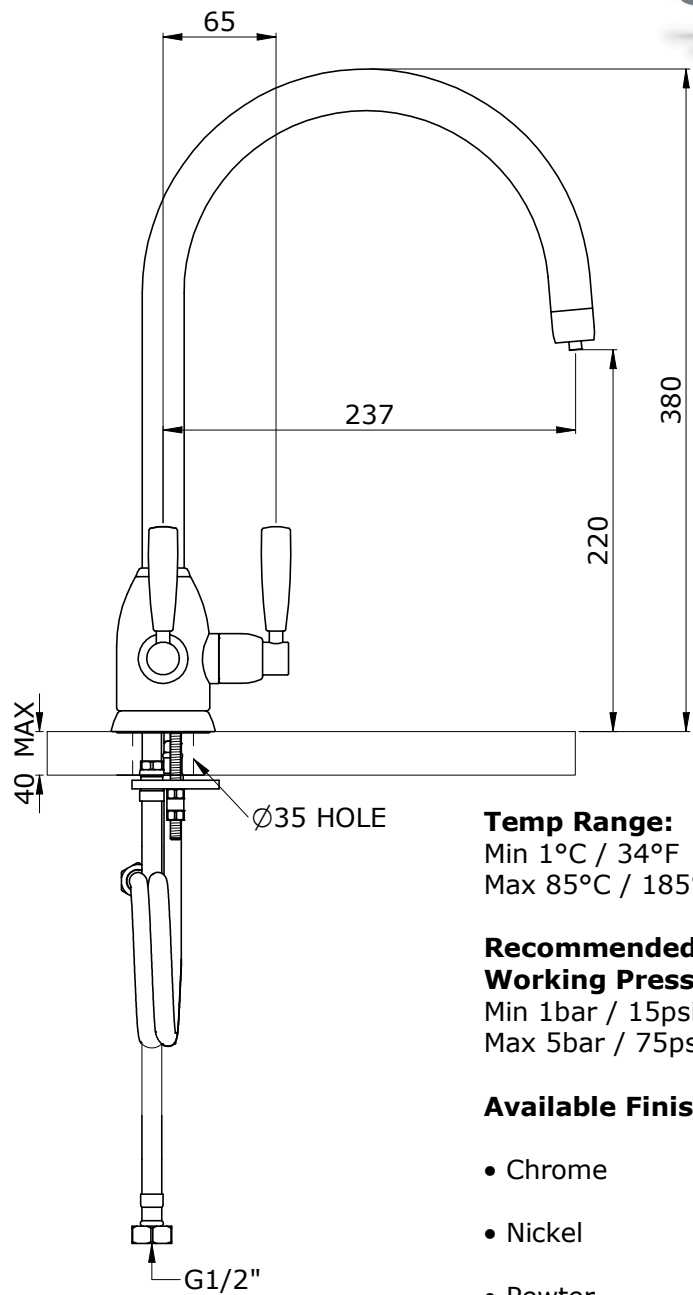
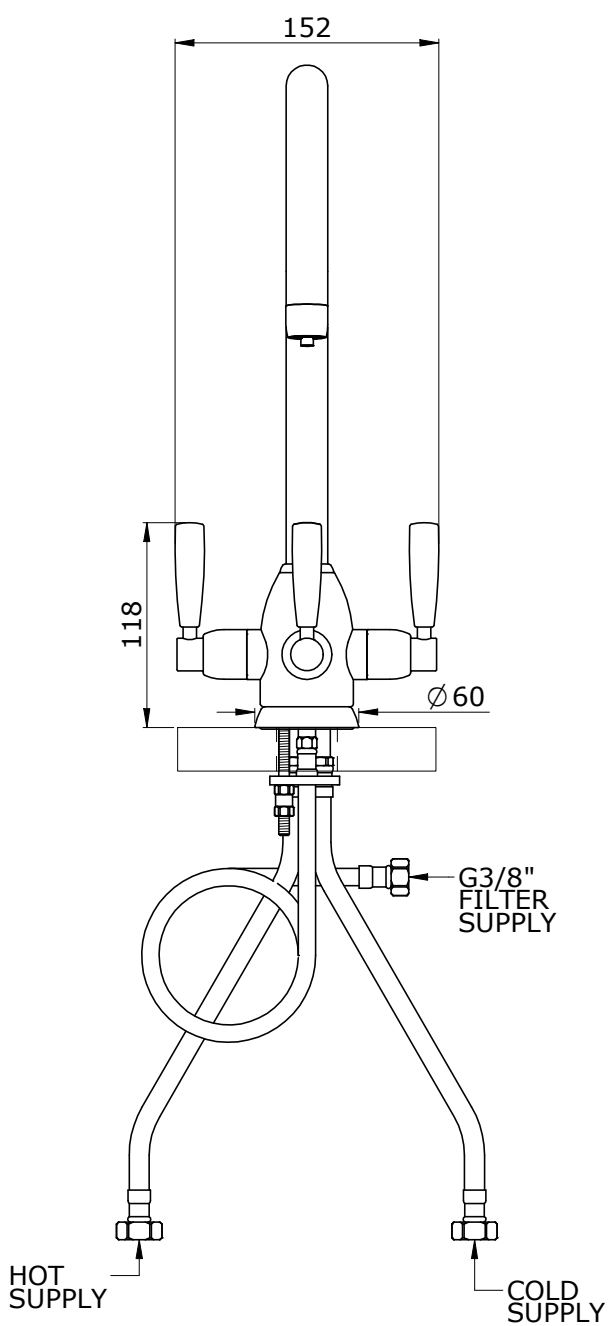


Specification: TF-KT32C

- 1/4 turn ceramic disc flow control
- Triflow Stainless Steel push fit filter housing
- Flexible connections
- Swivel spout



Temp Range:
Min 1°C / 34°F
Max 85°C / 185°F

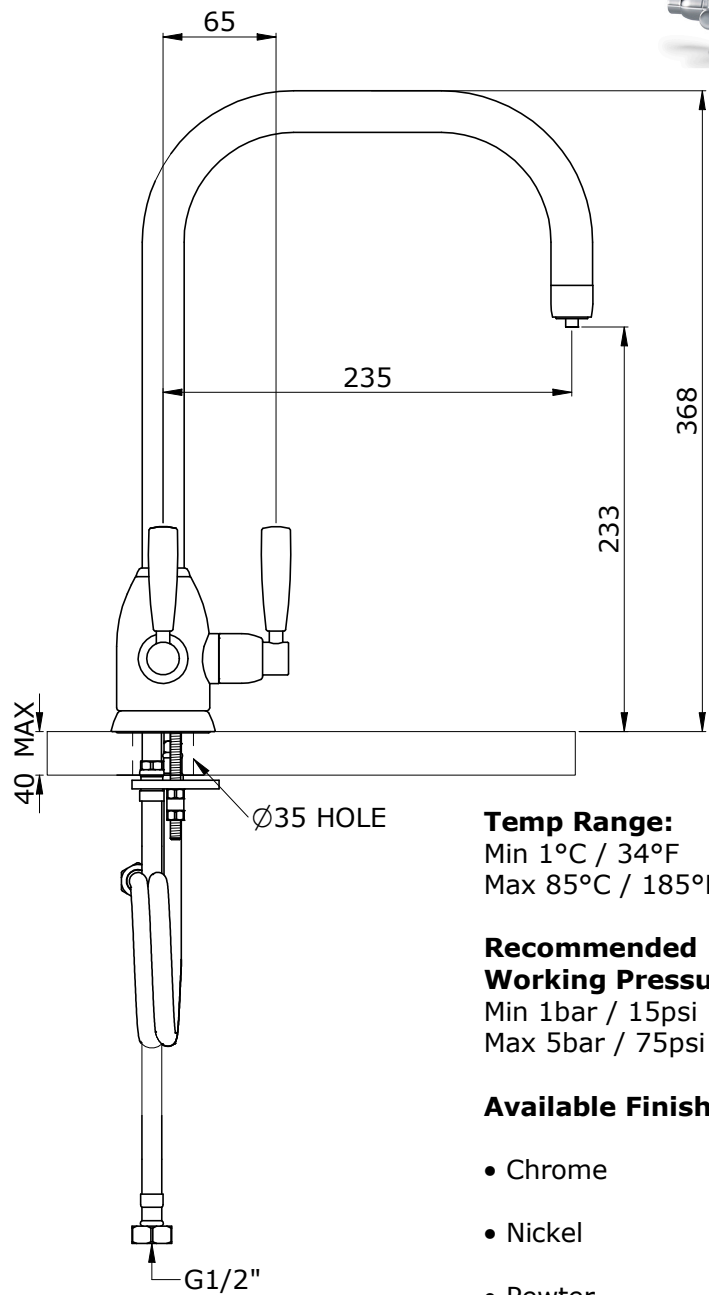
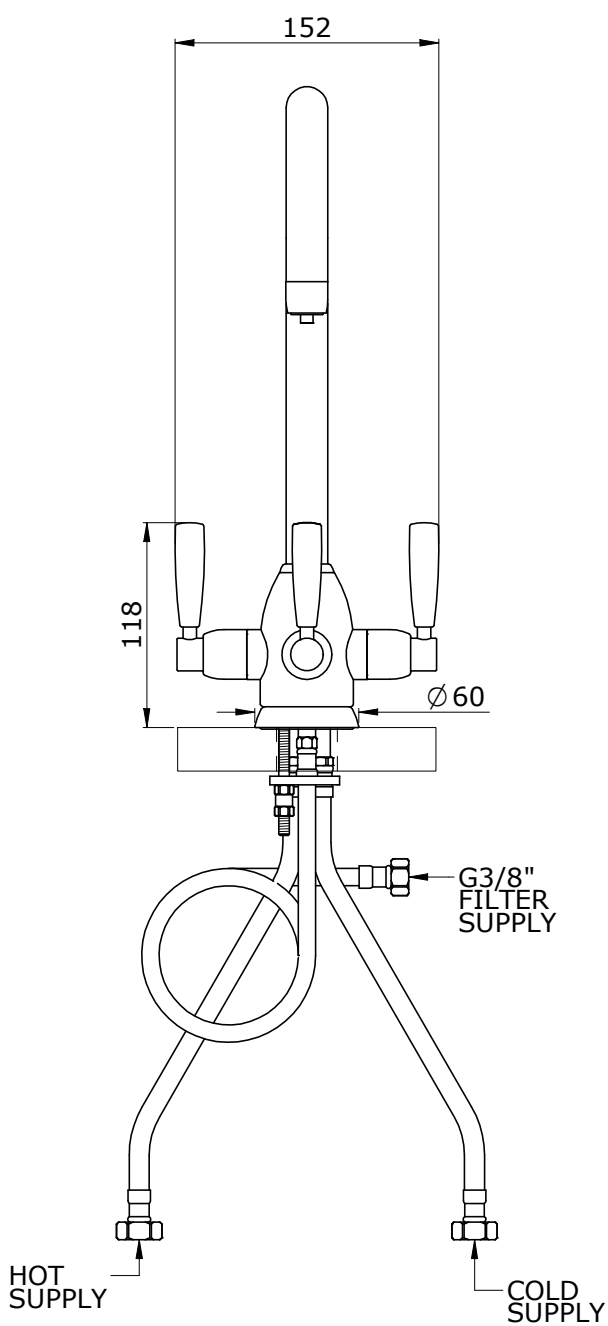
Recommended Working Pressure:
Min 1bar / 15psi
Max 5bar / 75psi

Available Finishes:

- Chrome
- Nickel
- Pewter

Specification: TF-KT32U

- 1/4 turn ceramic disc flow control
- Triflow Stainless Steel push fit filter housing
- Flexible connections
- Swivel spout



Temp Range:
Min 1°C / 34°F
Max 85°C / 185°F

Recommended Working Pressure:
Min 1bar / 15psi
Max 5bar / 75psi

Available Finishes:

- Chrome
- Nickel
- Pewter