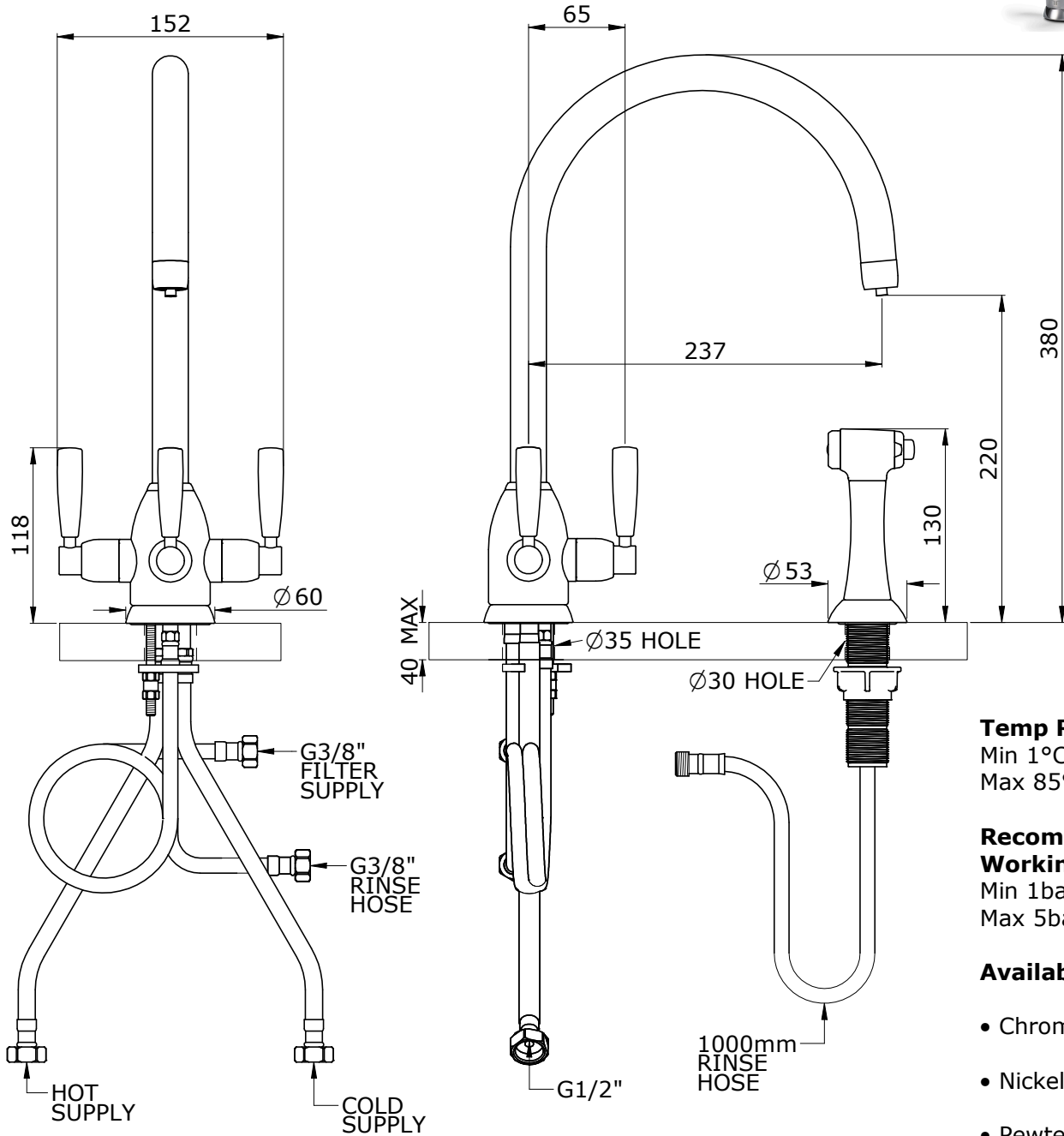


Specification: TF-KT32CR

- 1/4 turn ceramic disc flow control
- Triflow Stainless Steel push fit filter housing
- Handle held rinse
- Flexible connections
- Swivel spout



Temp Range:
 Min 1°C / 34°F
 Max 85°C / 185°F

Recommended Working Pressure:
 Min 1bar / 15psi
 Max 5bar / 75psi

Available Finishes:

- Chrome
- Nickel
- Pewter

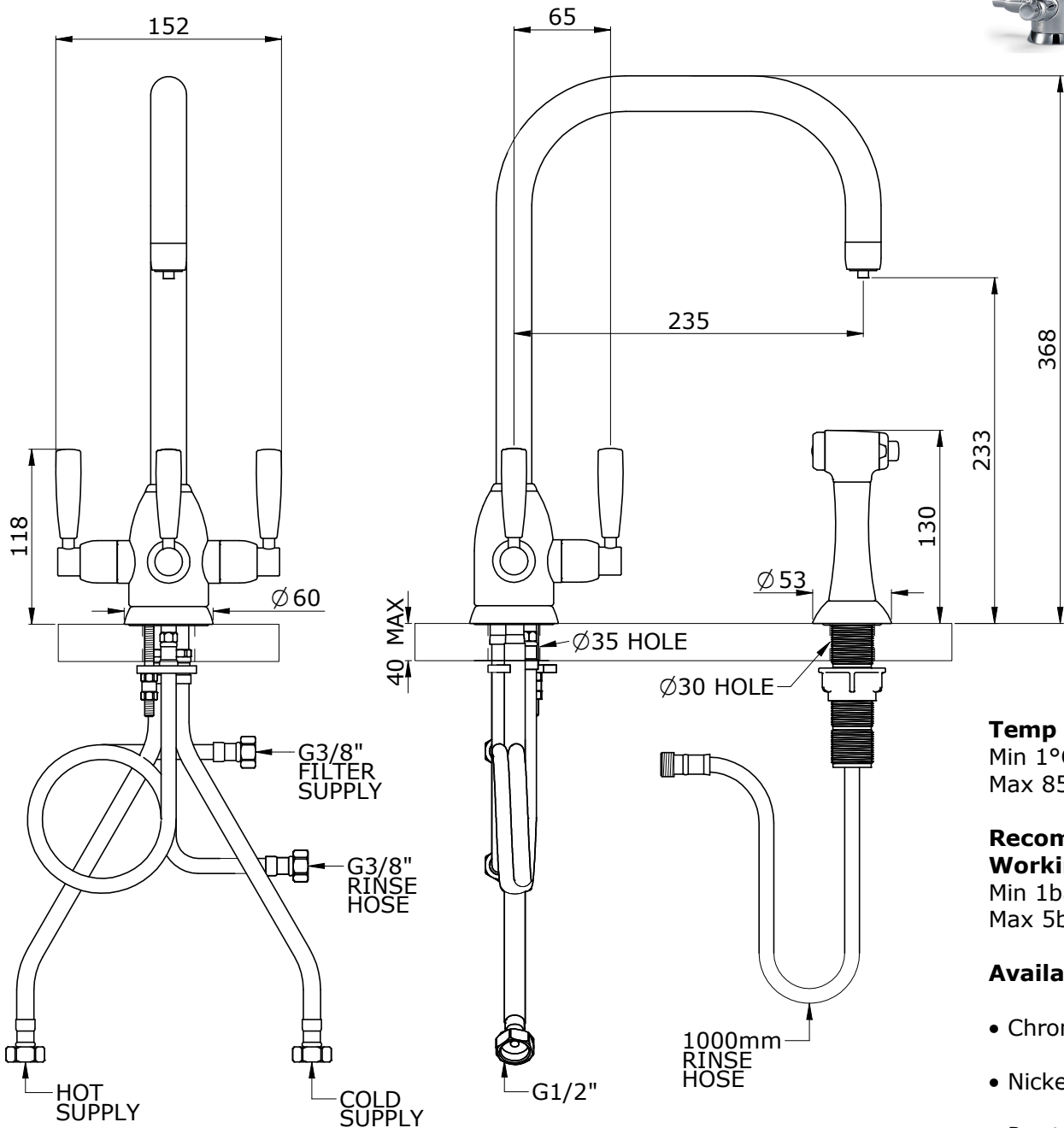
Triflow Concepts Limited.
 T +44(0)800 999 3959
 E support@triflowconcepts.com
 W www.triflowconcepts.com

TRIFLOW CONCEPTS LTD ©

Triflow, the Triflow Logo, Triflow Quadro and FRXo2 are registered trademarks of Triflow (IP) Limited
 Triflow Quadro Logo, Triflow 160, 320, 321 & Triflow 500™

Specification: TF-KT32UR

- 1/4 turn ceramic disc flow control
- Triflow Stainless Steel push fit filter housing
- Hand held rinse
- Flexible connections
- Swivel spout



Temp Range:
 Min 1°C / 34°F
 Max 85°C / 185°F

Recommended Working Pressure:
 Min 1bar / 15psi
 Max 5bar / 75psi

Available Finishes:

- Chrome
- Nickel
- Pewter

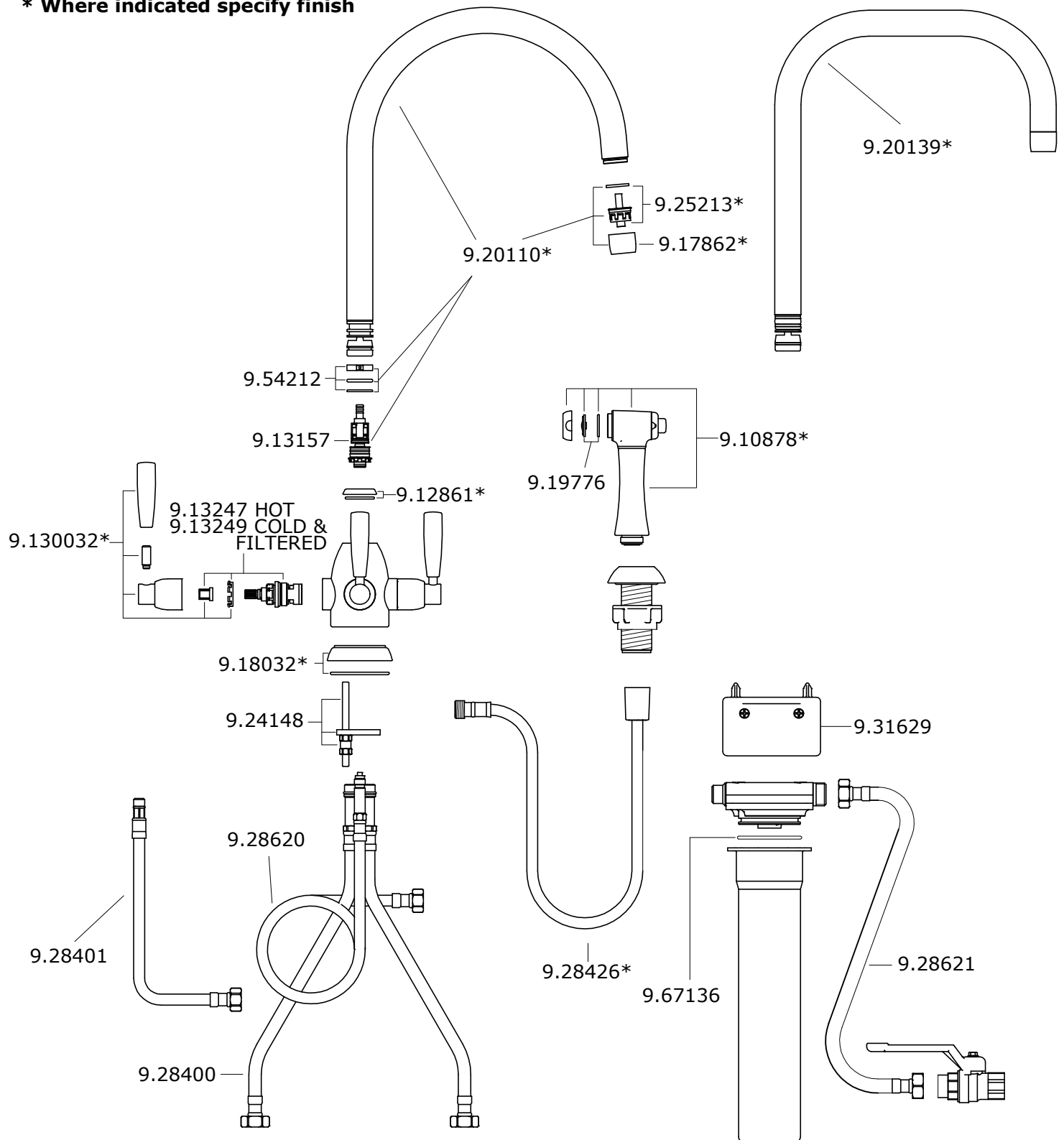
Triflow Concepts Limited.
 T +44(0)800 999 3959
 E support@triflowconcepts.com
 W www.triflowconcepts.com

TRIFLOW CONCEPTS LTD ©

Triflow, the Triflow Logo, Triflow Quadro and FRXo2 are registered trademarks of Triflow (IP) Limited
 Triflow Quadro Logo, Triflow 160, 320, 321 & Triflow 500™

Specification: TF-KT32CR/32UR - Spares

* Where indicated specify finish



Triflow Concepts Limited.
T +44(0)800 999 3959
E support@triflowconcepts.com
W www.triflowconcepts.com

TRIFLOW CONCEPTS LTD ©

Triflow, the Triflow Logo, Triflow Quadro and FRXo2 are registered trademarks of Triflow (IP) Limited
 Triflow Quadro Logo, Triflow 160, 320, 321 & Triflow 500™