

TRIFLOW CONCEPTS

TRIFLOW CARTRIDGE REPLACEMENT - TFE500/TRX160 (STAINLESS STEEL HOUSING)

The cartridge in your Triflow filter needs to be changed every six months. At this stage, the carbon filter element may begin to lose its effectiveness in the removal of lead, turbidity, chlorine, bad taste and odour.

CHANGING THE CARTRIDGE IS A SIMPLE MATTER

- 1 Shut-off the mains water supply. A stop valve with a blue or black handle was supplied with the system for this purpose, and will be found located on the adjacent pipework.
- 2 Turn the filtered lever on the tap to the ON position and leave in this position. This will confirm that the water supply is turned off, and will release the pressure in the system.
- 3 Conveniently position a suitable receptacle to catch residual water from the housing. Lift the filter unit from its retaining bracket. Twist the housing clockwise a quarter turn to open, then pull off.
- 4 Hold the Cap 'B' firmly with one hand and pull the Cartridge 'C' with the other. Discard the old cartridge with your household waste. The filter is not recyclable.
- 5 Wash Housing 'A' in warm soapy water, then rinse well. Do not use a dishwasher to clean the unit.
- 6 Wet the two 'O' seals 'D' on the inlet end of the new cartridge, then push it carefully into the female Cap 'B'.

Please Note THE CARTRIDGE IS FRAGILE AND CAN BE EASILY DAMAGED IF NOT HANDLED WITH CARE. THEREFORE BE MINDFUL WHEN PUSHING THE CARTRIDGE INTO THE HOUSING CAP.

- 7 Fit Cap 'B' and Housing 'A' back together and then twist a quarter turn anti clockwise.
- 8 Replace the unit on the bracket and turn the filtered lever to OFF position. Turn on the water supply.
- 9 Run the filtered water for 2 minutes to flush the system, checking carefully for leaks. The system should now be ready for use.

IDLE PERIODS AND WINTER PREPARATION

If you plan to be away from home for extended periods, or the filter housing may be subject to the risk of freezing, carry out the procedures 1 to 4. Dry the cartridge and store in a safe place at room temperature. Wash housing as in step 5.

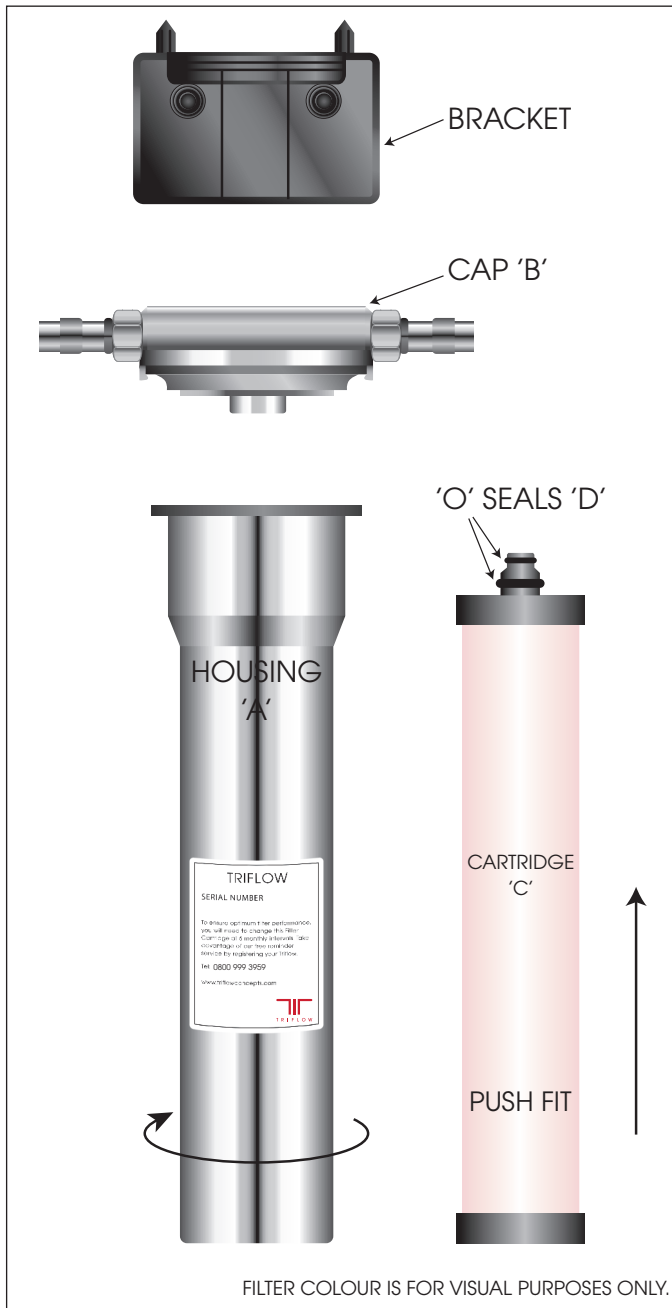
When the risk of freezing subsides and you wish to use the system again, reinstall the cartridge as in the procedure steps 6 to 9. The system should now be ready for use. Allowing the unit to freeze will invalidate the product warranty*.

Triflow Concepts Limited
Global House
95 Vantage Point
The Pensnett Estate
Kingswinford
West Midlands
DY6 7FT

Phone: +44 (0) 800 999 3959
support@triflowconcepts.com
www.triflowconcepts.com

*We offer a 2 year mechanical warranty for the stainless steel housing. Triflow® is a registered Trademark of Triflow Concepts Ltd.

9002015/3 10/2015

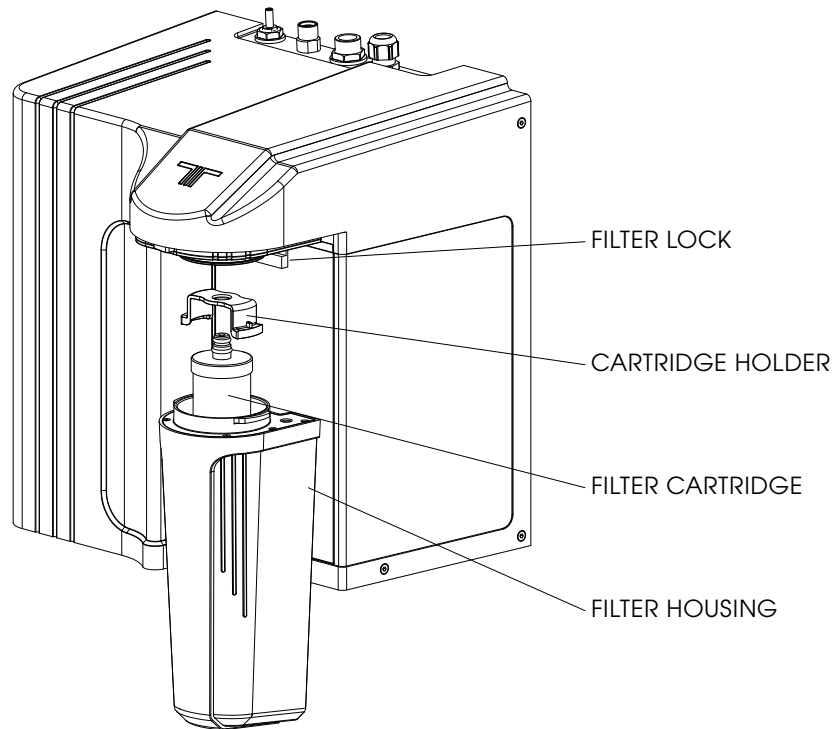


TRIFLOW CONCEPTS

TRIFLOW CARTRIDGE REPLACEMENT - TFE-500/TRX160 (TRIFLOW QUADRO SYSTEM - PUSH FIT)

FOR FURTHER INFORMATION PLEASE CONSULT YOUR HEATER TANK INSTALL GUIDE PAGE 10 OR YOUR TAP INSTALL GUIDE PAGES 48-50.

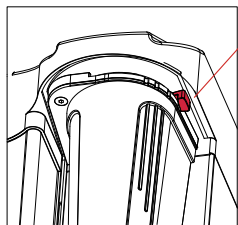
The cartridge in your Triflow filter needs to be changed every four to six months. At this stage, the carbon filter element may begin to lose its effectiveness in the removal of lead, turbidity, chlorine, bad taste and odour. **DO NOT TURN THE POWER OR WATER OFF WHEN CHANGING THE FILTER CARTRIDGE.**



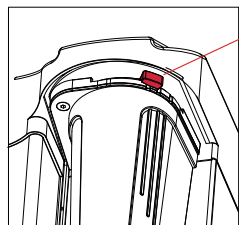
To fit the Triflow Filter Cartridge:

1. Rotate the filter lock fully clockwise to the 'Eject' position.
2. Remove the filter housing from the Triflow Quadro Heater by pulling down.
3. Twist the cartridge holder by 90 degrees until it disengages from the lugs in the filter housing and remove from the filter housing.
4. Place the Triflow Filter Cartridge into the filter housing.
5. Replace the cartridge holder.
6. Re fit the filter housing to the Triflow Quadro Heater Tank by moving the filter lock to the 'Unlock' position and pushing it firmly upwards as far as possible and locking it in place by rotating the filter lock fully anti-clockwise to the lock position.

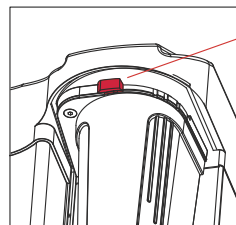
NOTE: The Triflow Quadro Heater Tank outer case does not need to be removed to fit the Triflow Filter Cartridge. Refer to section 6.0 for maintenance requirements of the Triflow Filter Cartridge.



LOCK POSITION



UNLOCK POSITION



EJECT POSITION

FOR A VIDEO GUIDE PLEASE VISIT:
WWW.YOUTUBE.COM/USER/TRIFLOWCONCEPTSLTD